



# VAPOUR RECOVERY ADAPTER

## with IN-LINE DEFLAGRATION FLAME ARRESTER



Mod. 1524/1534 EN-P

### APPLICATION

It's a Protection System with ribbon coil: deflagration in-line flame arrester in according with Directive 2014/34/EU and harmonized standard EN ISO 16852:2016.

- Used for hydrocarbons or chemical Stage I vapor recovery line.
- The Flame Arrester avoids propagation of fire to the storage tank.
- Surface Protection System is for all ATEX zone (0, 1 and 2).

The best performances allowed by the new regulation

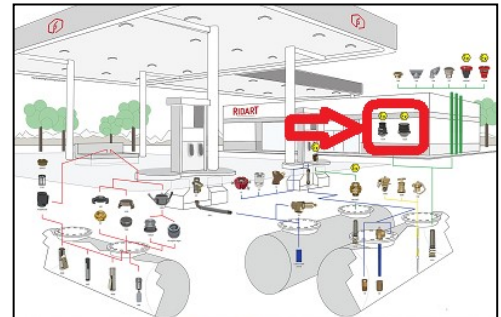
- Max distance from the potential ignition is 50 pipe's diameter.



CE 477 Ex G IIB3

### GAS & VAPOR COMPATIBILITY

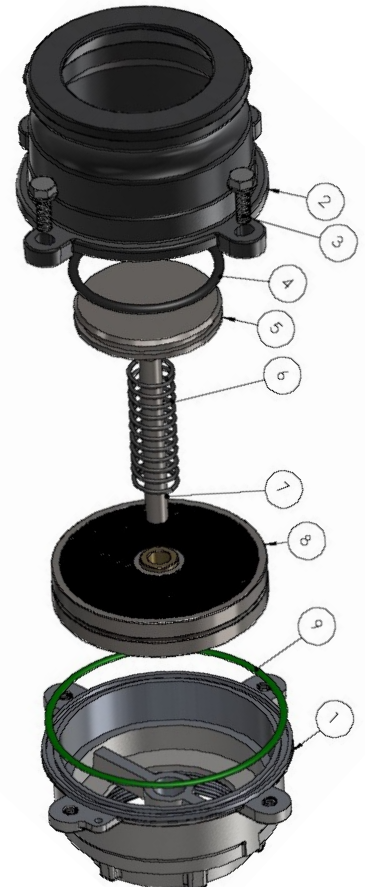
Inflammable gases and vapours classification is necessary to correct use of flame arrester. UE-Type Examination Certificate EPT 18 ATEX 3053 X is for Explosion Group "IIB3" tested with Ethylene and compatible for all gas with MESG > 0.65 mm for example: Ammonia, Industrial methane, Blas-furnace gas, Carbon monoxide, Propane, Butane, Pentane, Esane, Eptane, Iso-octane, Decane, Benzene, Xilene, Cyclohexane, Acetone, Ethyl-methyl-ketone, Methyl acetate, Ethyl acetate, Normal propyl acetate, Normal butyl acetate, Amyl acetate, Cloroethylene, Methanol, Ethanol, Iso Butanol, Normal Butanol, Amyl alcohol and Ethyl nitrite. Use only for gas or vapor with MESG > 0.65 mm. Burning rating BC=b,  $t_{bT}=1$  min. Max operational temperature 60°C.



### CHEMICAL SUITABILITY

- Standard model is for traditional fuel without additives.
- "PTFE" coated model is for special fuel, non-aggressive solvents or chemical products.
- "SS" model is for aggressive solvents, acids or bases.

#	PART	1524/1534 EN-P	1524/1534 EN-P PTFE	1524/1534 EN-P SS
1	MALE BODY	ALUMINIUM	AL + PTFE COATING	STAINLESS STEEL
8;7	RIBBON COIL & SUPPORT	STAINLESS STEEL		
4;5;6	SCREWS, SPRING & BOLTS	STAINLESS STEEL		
5	POPPET	ALUMINIUM	AL + PTFE COATING	STAINLESS STEEL
2	FEMALE BODY	ALUMINIUM	AL + PTFE COATING	STAINLESS STEEL
4;9	SEALS	VITON®	TEFLON®	TEFLON®

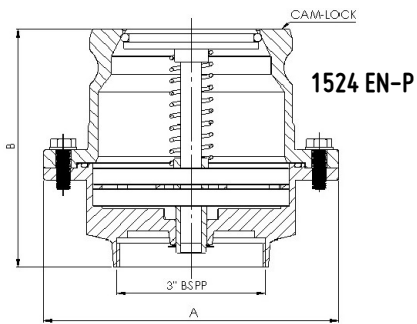


RIDART s.r.l. via Adua, 17 - 21045 Gazzada Schianno (VA) ITALY P.IVA/C.F. IT 01454770122

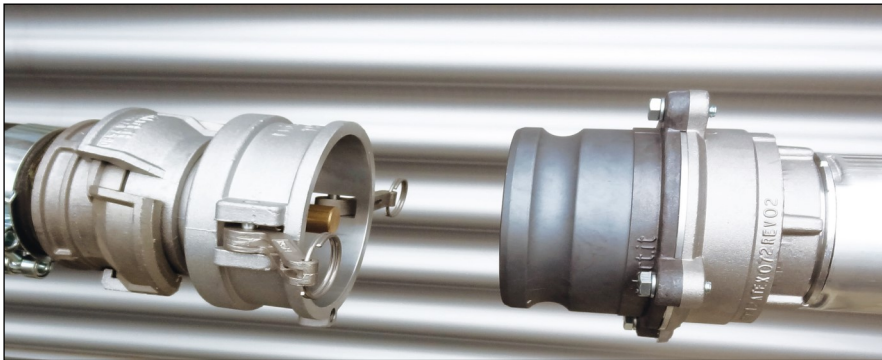
www.ridart.it info@ridart.it +39 0332 463301

Product Certification, Declaration of Conformity, User Manual and Testing on: www.ridart.it/support

The Data and Images are not binding. We reserve the right to make changes without notice. Pressure & Flow Tolerances ±20%.



<b>CAM-LOCK COUPLING</b>	<b>3" M 1534 EN P</b>	<b>4" M 1524 EN-P</b>
<b>PROTECTED SIDE</b>	<b>3" F BSPP</b>	<b>3" F BSPP</b>
<b>A (mm)</b>	<b>174</b>	<b>174</b>
<b>B (mm)</b>	<b>144</b>	<b>187</b>
<b>FLOW l/min (230 mbar)</b>	<b>1000</b>	<b>1000</b>
<b>FLOW l/min (8 bar)</b>	<b>3280</b>	<b>3280</b>



## INSTALLATION

- In-line flame arrester is for vertical or horizontal installation .
- Protection System is unidirectional, the safety side is the FEMALE thread.
- For correct installation follow the Directives and product User Manual.
- Explosion Group is "IIB3" in according with EN ISO 16852 (MESG > 0.65 mm).
- Contact our technical department for custom application or maintenance by email to: [quality@ridart.it](mailto:quality@ridart.it).
- Product Certification, Declaration of Conformity and User Manuals are available on [www.ridart.it/support](http://www.ridart.it/support).

## MAINTENANCE

- Always replace the product after fire or deflagration.
- In case of tampering warranty expires and safety protection is not guaranteed.

## YOU MAY ALSO BE INTERESTED IN:

CODE	DESCRIPTION	
<b>1520-00</b>	Vapor recovery coupler 4" cam-lock x 2"1/2F+3"M	
<b>1525 VR</b>	Vapor recovery adapter with check valve 4" cam-lock x 4" F	

**RIDART s.r.l.** via Adua, 17 - 21045 Gazzada Schianno (VA) ITALY P.IVA/C.F. IT 01454770122  
[www.ridart.it](http://www.ridart.it) [info@ridart.it](mailto:info@ridart.it) +39 0332 463301

Product Certification, Declaration of Conformity, User Manual and Testing on: [www.ridart.it/support](http://www.ridart.it/support)  
 The Data and Images are not binding. We reserve the right to make changes without notice. Pressure & Flow Tolerances ±20%.