



Quick Dry Coupling

Mod. 1600, 1601, 1602, 1605 & 1610



APPLICATION

It's a Safety accessory in according with Directives ATEX 2014/34/EU and PED 2014/68/UE. The dry quick coupling is used to prevent any possible leaking during the process of transferring hazardous fluids in different fields of application (petrochemical, food, pharmaceutical, beverage & more).

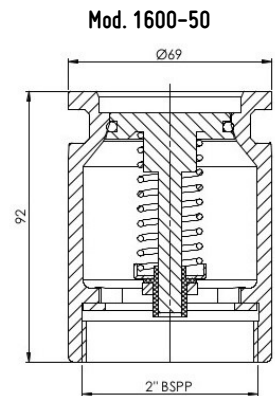
- Valve opens and closes automatically.
- No residual loss on disconnection.
- Connected & disconnected in pressure.

The best performances allowed by the new regulation:

- Max operational temperature 60°C.
- Max operational pressure 8 bar.



PRODUCT	1605 2"	1600 2"	1601 2"1/2	1602 3"	1610-50	1610-80
CODE	1605-50 AL 1605-50 SS	1600-50 AL 1600-50 SS	1601-65 AL 1601-65 SS	1602-80 AL 1602-80 SS	1610-50	1610-80
DESCRIPTION	FEMALE	MALE	MALE	MALE	PROTECTION PLUG	PROTECTION PLUG
TOP ATTACK	2" F NATO STANAG 3756 Ø 70 mm	2" M NATO STANAG 3756 Ø 70 mm	2"1/2 M NATO STANAG 3756 Ø 105 mm	3" M NATO STANAG 3756 Ø 119 mm	Ø 70 mm	Ø 119 mm
PIPELINE THREAD	2" F BSPP	2" F BSPP	2"1/2 F BSPP	3" F BSPP	-	-
HEIGHT mm	126	92	134	134	16.5	18
FLOW l/min Gravity	420	420	820	850	-	-
FLOW l/min (8 bar)	800	800	940	970	-	-



PART	1605 OT	1605 AL	1605 SS
BODY	BRASS	ALUMINIUM	STAINLESS STEEL
SCREWS	STAINLESS STEEL		
POPPET	BRASS	ALUMINIUM	STAINLESS STEEL
SEALS	VITON®	VITON®	TEFLON®
SPRING	STAINLESS STEEL		

Mod. 1605+1600



Mod. 1605+1600 "connected"



CHEMICAL SUITABILITY

- Standard model is for traditional fuel without additives.
- "SS" model is for aggressive solvents, acids or bases.

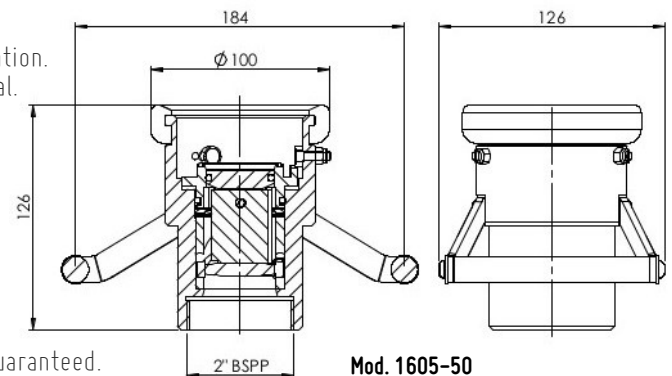
INSTALLATION

- Protection System is unidirectional, for vertical or orizzontal installation.
- For correct installation follow the Directives and product User Manual.
- For custom application or maintenance write to : quality@ridart.it
- Declaration of Conformity and User Manuals are available on :

www.ridart.it/support

MAINTENANCE

- Periodically check the device is necessary to remove possible dirty.
- Always replace the product after fire or deflagration.
- In case of tampering warranty expires and safety protection is not guaranteed.



Mod. 1605-50

RIDART s.r.l. via Adua, 17 - 21045 Gazzada Schianno (VA) ITALY P.IVA/C.F. IT 01454770122

www.ridart.it info@ridart.it +39 0332 463301

Product Certification, Declaration of Conformity, User Manual and Testing on: www.ridart.it/support

The Data and Images are not binding. We reserve the right to make changes without notice. Pressure & Flow Tolerances ±20%.