



Break Away Valve for Vapor Recovery Line Stage 2

Mod. 25, 25 PTFE & 25 SS



APPLICATION

It's a Protection System in accordance with Directive 2014/34/EU and harmonized standard EN ISO 13617-2. Installed below the dispenser on the delivery line, in case of external accident, prevent fuel loss. Shear valve is available in 1" BSPP threaded version, double closing when the closure of both lines from the underground storage tank and to dispenser is required.

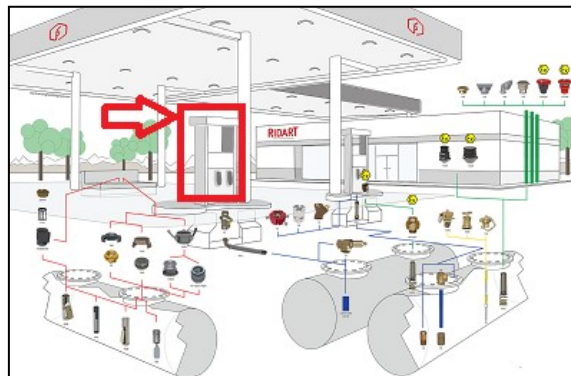


CE Ex II 2 G

ATTENTION

The best performances allowed by the new regulation:

- Max operational temperature 60°C.
- Max operational pressure 6 bar.
- Separating force 450/500 N.

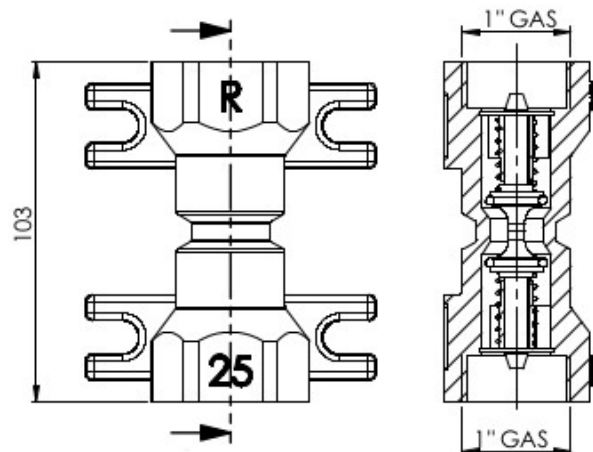
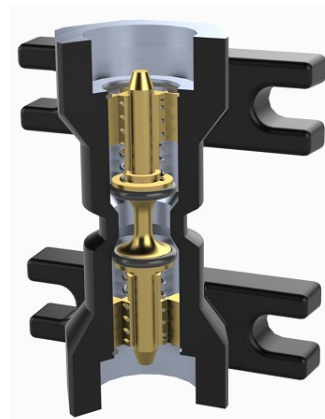


CHEMICAL SUITABILITY

- Standard model is for traditional fuel without additives
- "PTFE" coated model is for special fuel, non-aggressive solvents or chemical products.

DIMENSIONS

| PRODUCT MODEL | Mod. 25 | Mod. 25 |
|---------------|-----------|-----------------|
| CODE | 090915 | 090915 PTFE |
| TOP THREAD | 1" F BSPP | 1" F BSPP |
| BOTTOM THREAD | 1" F BSPP | 1" F BSPP |
| HEIGHT | 103 mm | 103 mm |
| WIDTH | 90 mm | 90 mm |
| BODY | ALUMINIUM | AL+PTFE COATING |
| POPPET | BRASS | STAINLESS STEEL |
| SEAL | VITON® | TEFLON® |



RIDART s.r.l. via Adua, 17 - 21045 Gazzada Schianno (VA) ITALY P.IVA/C.F. IT 01454770122
www.ridart.it info@ridart.it +39 0332 463301

Product Certification, Declaration of Conformity, User Manual and Testing on: www.ridart.it/support
The Data and Images are not binding. We reserve the right to make changes without notice. Pressure & Flow Tolerances ±20%.







INSTALLATION

- Protection System is bidirectional and it is only for vertical installation.
- It's important to screw the pipe not the valve, hold valve with max 20Nm.
- For correct installation follow the Directives and product User Manual.
- For custom application or maintenance write to: quality@ridart.it.
- Declaration of Conformity and User Manuals are available on:
www.ridart.it/support

MAINTENANCE

- Periodically check the device is necessary to remove possible dirty.
- Always replace the product after fire, deflagration or crash.
- In case of tampering warranty expires and safety is not guaranteed.

YOU MAY ALSO BE INTERESTED IN:

| CODE | DESCRIPTION | |
|-------------|-------------------------------------|---|
| 090900 | Shut Off cast iron Mod. 23 |  |
| 090905 | Shut Off cast iron Mod. 26 |  |
| 27-40-01 | Shut Off aluminium Mod. 27 |  |
| 28-40-01 | Shut Off aluminium Mod. 28 |  |
| 30-40 | Shear check valve Mod. 30 |  |
| 31-25-40 SS | Shear valve Stainless Steel Mod. 31 |  |

