

Environmental pit box GBMY5050M2 series



01 Environmental pit box GBMY5050M2 series

With protection of the environment in mind and with the co-operation of one of the major international oil companies, Meggitt have developed a truly environmentally friendly hydrant pit box.

Designed specifically to prevent any fuel spillage in the pit from escaping and contaminating the surrounding area, the two piece construction of the pit provides a large welded inner catchment area with over 0.3 cubic metre capacity below the seal. The design allows for a very large ground movement, 25 mm (1-inch) vertically and 50 mm (2-inch) horizontally, without affecting valve operation and preventing stress or damage to the riser pipe.

A high level positive seal fitted between the inner and outer sections of the box ensures that any fuel you see in the pit is the total spillage and not simply the residue of a larger spillage.

The position of the seal allows ease of inspection and replacement with no requirement for special tools or hydrant depressurisation.

The lightweight aluminum pit lid is designed to withstand the maximum loads modern aircraft can apply while still being easily removed for operation.

The lid employs a simple locking device to secure it to the box and can be retained using the optional strap for maximum security during pit usage.

Materials

Inner & outer body	Carbon steel
Riser pipe	API 5L grade B standard weight
Seal	Aviation fuel resistant NITRILE

Treatment

Inner surfaces of body	Two coat epoxy enamel
Outer surfaces of body	“ Intertuf ” epoxy
Riser pipe 6" bore	Copon EA4-2217 or Interline 850

Testing

Riser pipe section pressure tested to 28 bar (406psi)

02 Key Features

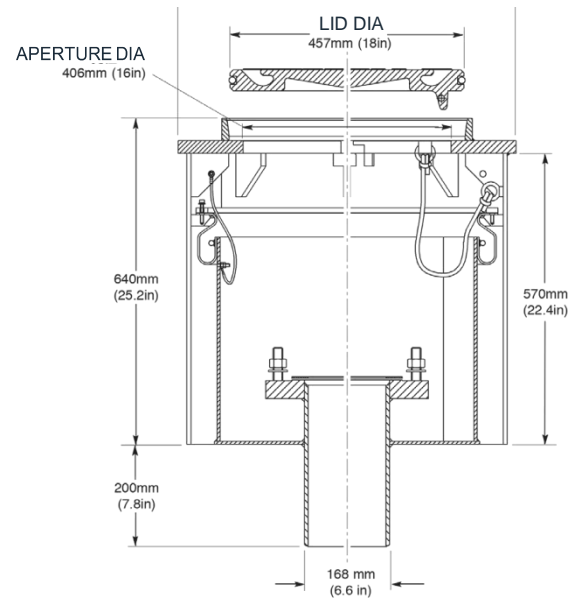
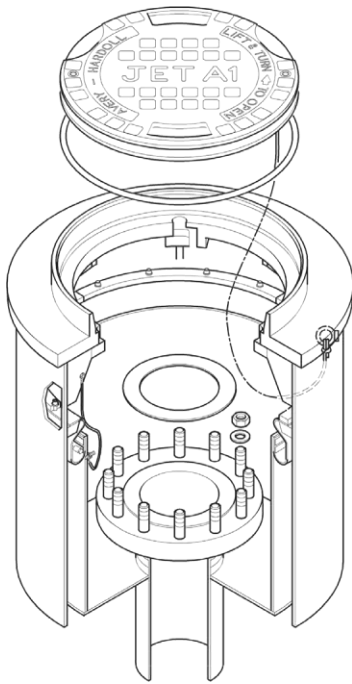
- Positive sealing for protection of the environment
- Rugged steel construction for long service life
- Large positively sealed catchment area
- Absorbs large vertical and horizontal ground movement

03 Additional Features

- Design easily customised for specific applications
- Accepts all valves meeting EI recommendations
- High level seal for ease of maintenance
- Lightweight aluminum lid with locking facility

Environmental pit box GBMY5050M2 series

04 Key Specification & Dimensions



05 Ordering information

GBMY5050M2	Standard pit box including lid, grounding strap and base flange to 6-inch. ANSI 300 supplied with M20 studs
GBMY5020	As 5000 with weld neck flange
GBMY5006	Extended spanner for use with GBMY5050M2
GBMY5009	Installation kit (aligns two halves)
GBMY3000	Blanking flange and gasket
GBMY3005	Extended spanner for use with GBMY5000A valve using 3/4-inch bolts/studs (not supplied)

* Meggitt also offer a full range of pit valves, under hydrant and sampling, vent and drain valves for the above.